

Before installing the VMX-Synergy Plus™ ANSI Premium Digital Soft Starter thoroughly read the user manual. To download scan the QR Code to the right or visit motortronics.com (Mobile device friendly).

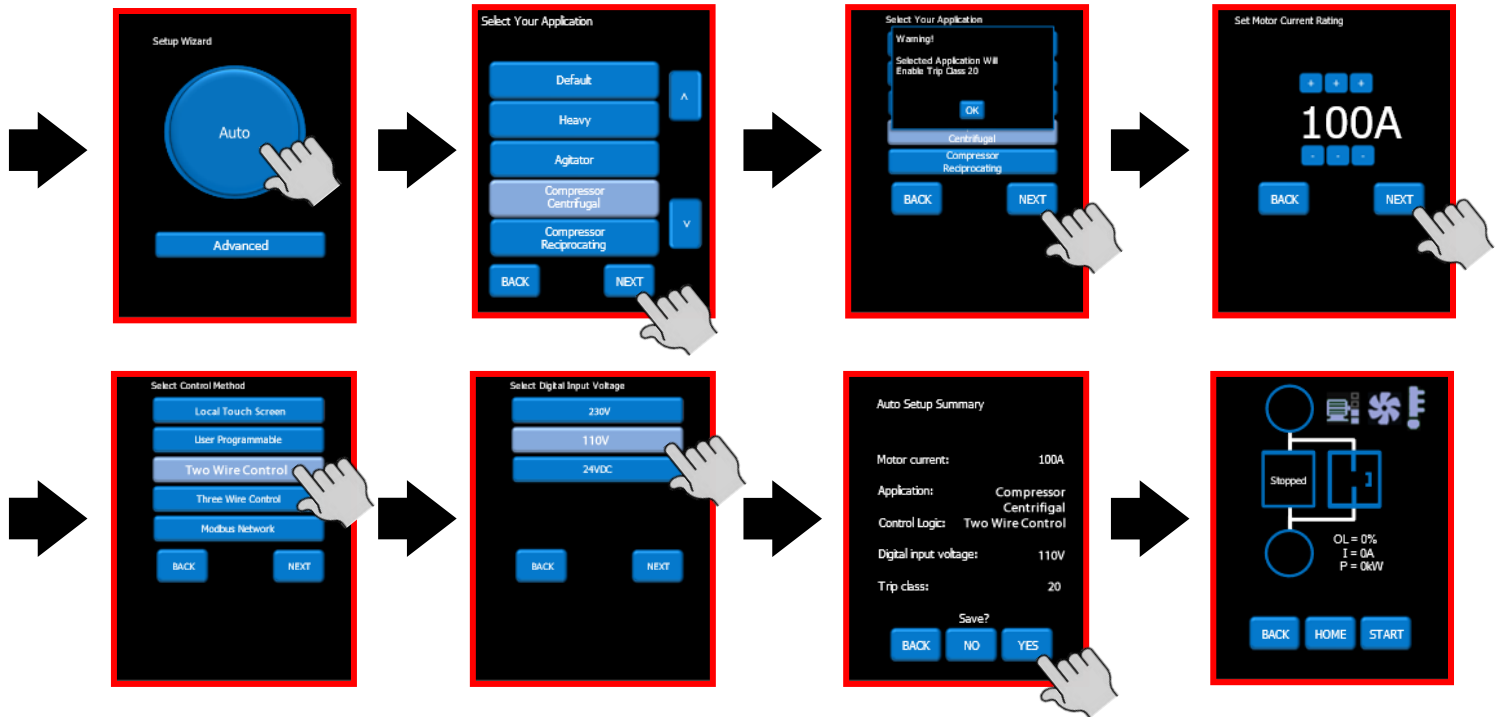


After all electrical connections have been made; apply power to the VMX-Synergy Plus™ ANSI soft starter.

On initial power up, VMX-Synergy Plus™ will show a 'Setup Wizard' menu – Auto and Advanced. To jump immediately to the pre-defined parameter sets, press the Auto button and follow the on-screen prompts to select your application and set the motor Full Load Amps.

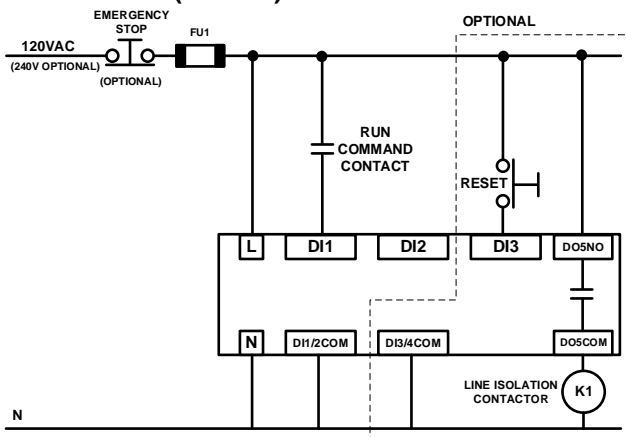
To automatically set up parameters on subsequent start-up, select the 'Home' menu from the status screen and select 'Auto Setup'.

Setup Wizard

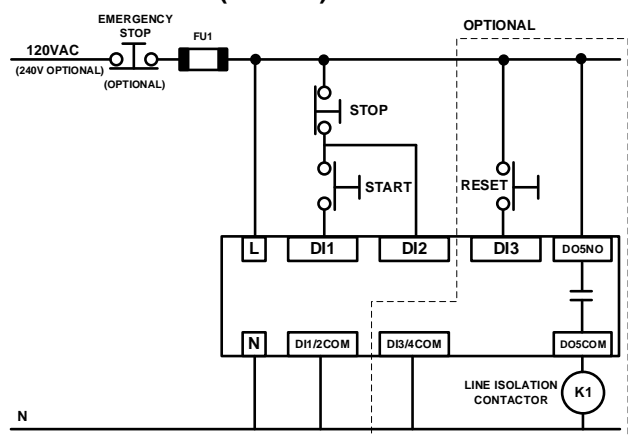


Control Wiring – 110Vac (Refer to user manual for 24Vdc Control)

2-Wire Control (110Vac)



3-Wire Control (110Vac)



Keypad Main Overview

Status LED

The Motortronics logo LED located on the front panel of the VMX-Synergy Plus™ will blink once every 10 seconds to provide visual confirmation that all microprocessors in the soft starter are operating properly.

Setup by Individual Parameter Settings

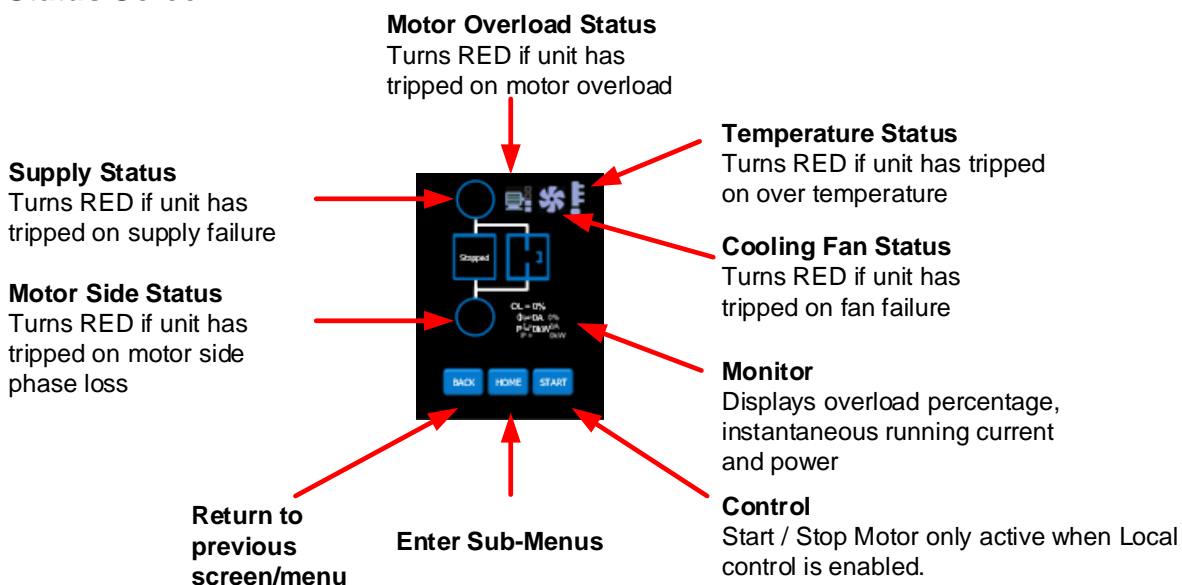
Allows the user to change parameter settings one at a time. The individual parameters are grouped by categories on the touchscreen.

From the Setup Wizard or Home menu, select the 'Advanced' menu. Set the required parameters from the displayed menus. See Section 5.8 of the user manual for detailed descriptions of the available parameters.

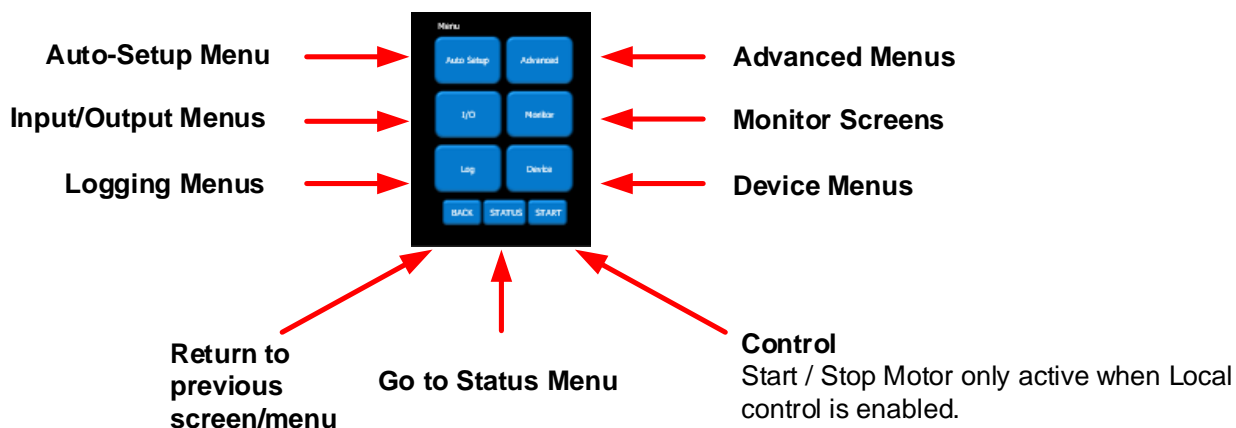
Configuration from the Touchscreen

Use the on-screen buttons to enter data or to scroll through setup menus, using the "Up," "Dn," "BACK," and "NEXT" buttons as necessary. From the home "Menu" screen, select either "Auto Setup" or "Advanced."

Status Screen



Home Menu Screen



California Customers:

California Proposition 65 Warning

WARNING: this product and associated accessories may contain chemicals known to the State of California to cause cancer, birth defects, or other reproductive harm. For more information visit <https://p65warnings.ca.gov>

VMX-SGY-A-QSL-062321