

CURRENT TRANSFORMER

Model 126

Window Diameter 8.25"

Application:
Metering

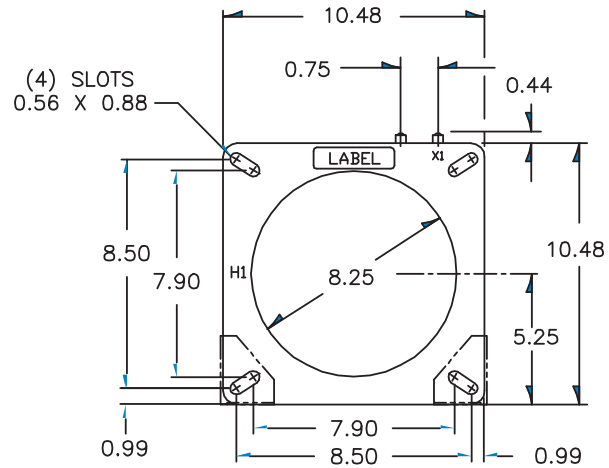
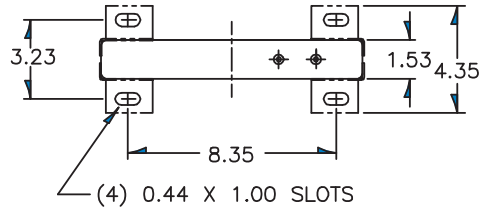
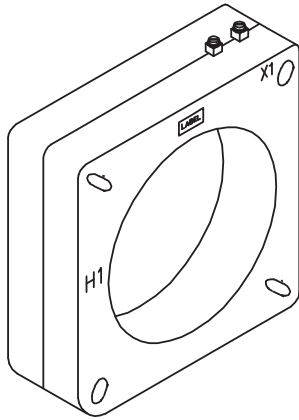
Frequency:
50 - 400 Hz

Insulation Level:
600 Volts, 10 kv BIL full wave

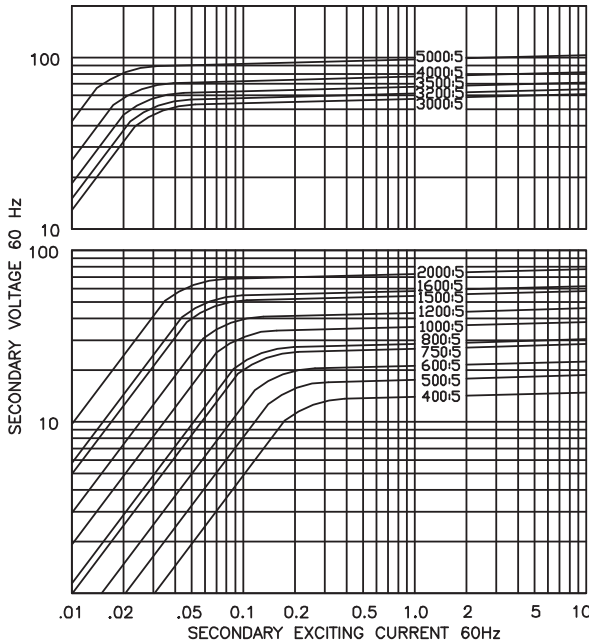


E228202

- Terminals are brass studs No. 10 - 32 with one flat washer, lockwasher and regular nut.
- Multi ratios available upon request
- Order mounting bracket kit CR-CL separately.
- Approximate weight: 5.5 lbs.



EXCITATION CURVE



CATALOG NUMBER	CURRENT RATIO	VA FOR ± 1% CLASS	ANSI METERING CLASS AT 60 Hz					SECONDARY WINDING RESISTANCE (OHMS @ 75 °C)	CONTINUOUS THERMAL RATING FACTOR	
			B0.1	B0.2	B0.5	B0.9	B1.8		@30°C	@55°C
126-401	400:5	4.0	0.6	1.2	1.2	2.4	4.8	0.116	2.0	2.0
126-501	500:5	7.5	0.6	0.6	1.2	1.2	2.4	0.145	2.0	2.0
126-601	600:5	10.0	0.6	0.6	0.6	1.2	2.4	0.173	2.0	2.0
126-751	750:5	15.0	0.3	0.3	0.6	0.6	1.2	0.217	2.0	1.5
126-801	800:5	20.0	0.3	0.3	0.6	0.6	1.2	0.231	2.0	1.5
126-102	1000:5	25.0	0.3	0.3	0.3	0.6	0.6	0.289	2.0	1.5
126-122	1200:5	40.0	0.3	0.3	0.3	0.3	0.3	0.347	1.5	1.33
126-152	1500:5	50.0	0.3	0.3	0.3	0.3	0.3	0.434	1.5	1.0
126-162	1600:5	50.0	0.3	0.3	0.3	0.3	0.3	0.462	1.5	1.0
126-202	2000:5	60.0	0.3	0.3	0.3	0.3	0.3	0.578	1.33	1.0
126-252	2500:5	75.0	0.3	0.3	0.3	0.3	0.3	0.904	1.0	0.8
126-302	3000:5	90.0	0.3	0.3	0.3	0.3	0.3	0.722	1.33	1.0
126-322	3200:5	95.0	0.3	0.3	0.3	0.3	0.3	0.770	1.33	1.0
126-352	3500:5	100.0	0.3	0.3	0.3	0.3	0.3	0.842	1.0	0.8
126-402	4000:5	125.0	0.3	0.3	0.3	0.3	0.3	0.962	1.0	0.8
126-502	5000:5	140.0	0.3	0.3	0.3	0.3	0.3	1.203	1.0	0.8