

CURRENT TRANSFORMER

Model 130

Window Diameter 5.75"

Application:
Relaying and Metering.

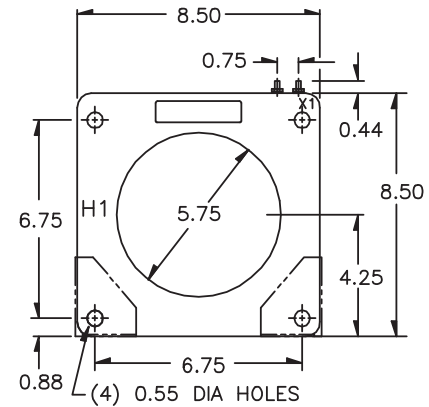
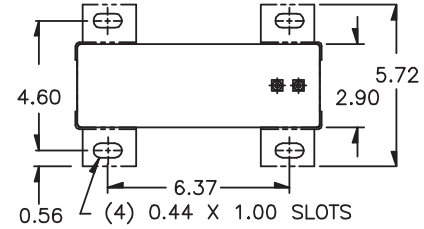
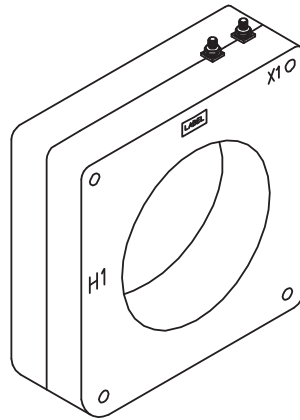
Frequency:
50 - 400 Hz

Insulation Level:
600 Volts, 10 kv BIL full wave

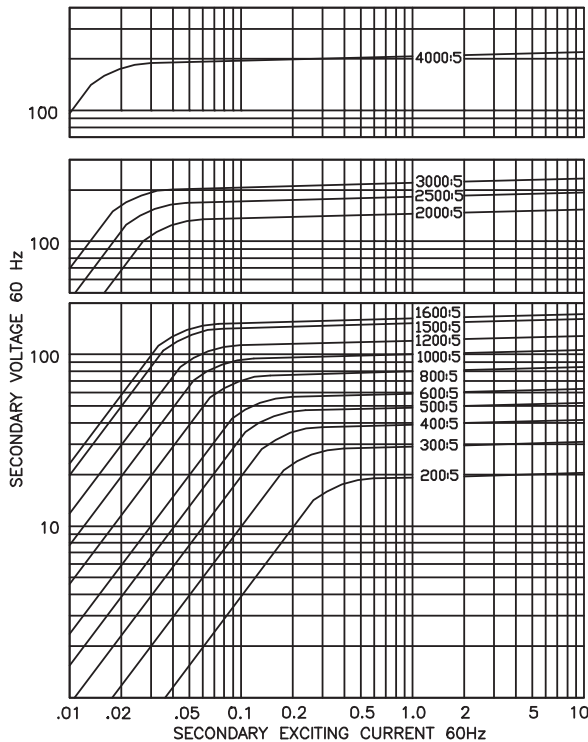
- Terminals are brass studs No. 8 - 32 with one flatwasher, lockwasher and regular nut.
- Order mounting bracket kit CL-CR separately
- Other ratios and Multi-ratios available upon request.
- Approximate weight: 18 lbs



E228202



EXCITATION CURVE



CATALOG NUMBER	CURRENT RATIO	RELAY CLASS	ANSI METERING CLASS AT 60 Hz					SECONDARY WINDING RESISTANCE (OHMS @ 75°C)	CONTINUOUS THERMAL RATING FACTOR	
			B0.1	B0.2	B0.5	B0.9	B1.8		@30°C	@55°C
130-201	200:5	C10	0.6	0.6	2.4	2.4	4.8	0.064	2.0	2.0
130-301	300:5	C20	0.3	0.3	1.2	1.2	2.4	0.105	2.0	2.0
130-401	400:5	C20	0.3	0.3	0.6	1.2	1.2	0.140	2.0	2.0
130-501	500:5	C20	0.3	0.3	0.3	0.6	1.2	0.175	2.0	2.0
130-601	600:5	C20	0.3	0.3	0.3	0.6	1.2	0.210	2.0	1.5
130-801	800:5	C50	0.3	0.3	0.3	0.3	0.6	0.324	2.0	1.5
130-102	1000:5	C50	0.3	0.3	0.3	0.3	0.3	0.404	1.5	1.33
130-122	1200:5	C50	0.3	0.3	0.3	0.3	0.3	0.485	1.5	1.0
130-152	1500:5	C100	0.3	0.3	0.3	0.3	0.3	0.607	1.5	1.0
130-162	1600:5	C100	0.3	0.3	0.3	0.3	0.3	0.647	1.33	1.0
130-202	2000:5	C100	0.3	0.3	0.3	0.3	0.3	0.783	1.33	1.0
130-252	2500:5	C100	0.3	0.3	0.3	0.3	0.3	0.979	1.0	0.8
130-302	3000:5	C100	0.3	0.3	0.3	0.3	0.3	1.175	1.0	0.8
130-402	4000:5	C100	0.3	0.3	0.3	0.3	0.3	1.484	1.0	0.6