

CURRENT TRANSFORMER

Model 140

Window Diameter 8.13"

Application:
Relaying and Metering

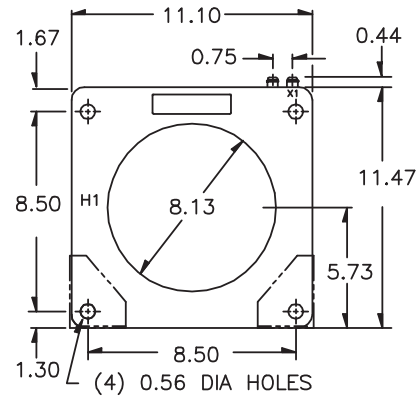
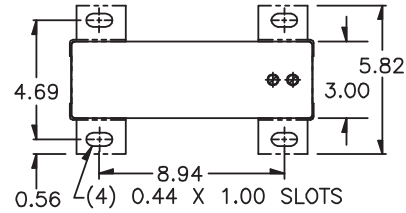
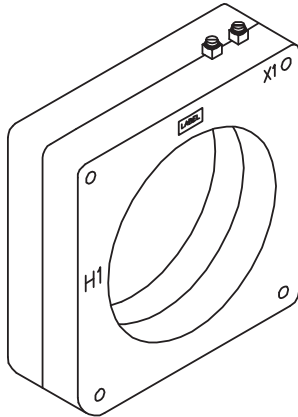
Frequency:
50 - 400 Hz

Insulation Level:
600 Volts, 10 kv BIL full wave

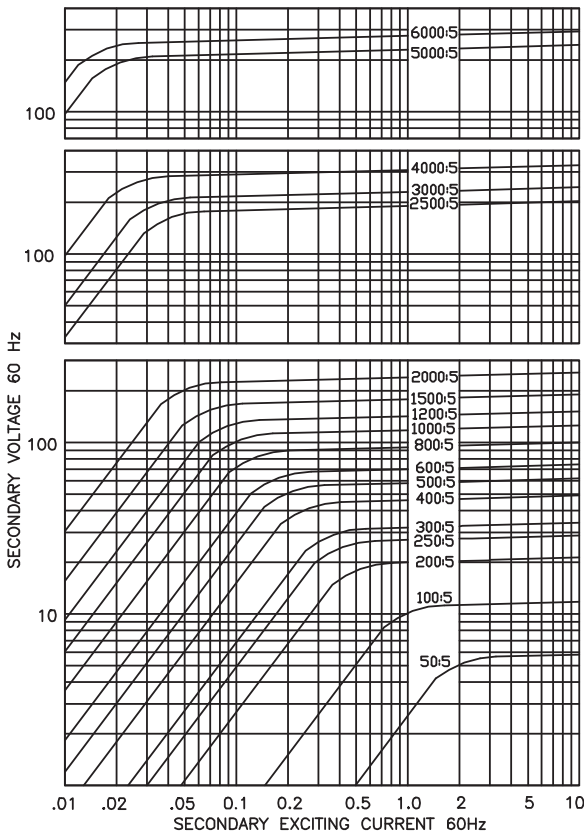


E228202

- Terminals are brass screws No. 10 - 32
- with one flat washer, lockwasher and regular nut.
- □ Multi ratios available upon request
- Order mounting bracket kit CR-CL separately.
- □ Approximate weight: 22 lbs.



EXCITATION CURVE



CATALOG NUMBER	CURRENT RATIO	RELAY CLASS	ANSI METERING CLASS AT 60 Hz					SECONDARY WINDING RESISTANCE (OHMS @ 75 °C)	CONTINUOUS THERMAL RATING FACTOR	
			B0.1	B0.2	B0.5	B0.9	B1.8		@30°C	@55°C
140-500	50:5	-	-	-	-	-	-	0.022	2.0	2.0
140-101	100:5	-	2.4	4.8	-	-	-	0.043	2.0	2.0
140-201	200:5	C10	1.2	1.2	2.4	4.8	-	0.088	2.0	2.0
140-251	250:5	C20	1.2	1.2	2.4	2.4	4.8	0.110	2.0	2.0
140-301	300:5	C20	0.6	1.2	1.2	2.4	2.4	0.131	2.0	2.0
140-401	400:5 *	C20	0.3	0.3	0.6	1.2	2.4	0.150	2.0	2.0
140-501	500:5 *	C20	0.3	0.3	0.6	1.2	1.2	0.216	2.0	2.0
140-601	600:5 *	C50	0.3	0.3	0.3	0.6	1.2	0.276	2.0	2.0
140-801	800:5 *	C50	0.3	0.3	0.3	0.3	0.6	0.351	2.0	2.0
140-102	1000:5 *	C50	0.3	0.3	0.3	0.3	0.6	0.432	2.0	1.5
140-122	1200:5 *	C100	0.3	0.3	0.3	0.3	0.3	0.529	1.5	1.5
140-152	1500:5 *	C100	0.3	0.3	0.3	0.3	0.3	0.657	1.5	1.0
140-202	2000:5 *	C100	0.3	0.3	0.3	0.3	0.3	0.865	1.33	1.0
140-252	2500:5 *	C100	0.3	0.3	0.3	0.3	0.3	1.009	1.33	1.0
140-302	3000:5 *	C100	0.3	0.3	0.3	0.3	0.3	1.211	1.0	0.8
140-402	4000:5 *	C200	0.3	0.3	0.3	0.3	0.3	1.614	1.0	0.8
140-502	5000:5 *	C50	0.3	0.3	0.3	0.3	0.3	1.836	1.0	0.8
140-602	6000:5 *	C100	0.3	0.3	0.3	0.3	0.3	2.203	1.0	0.6