

CURRENT TRANSFORMER

Model 141MR

Window Diameter 8.13"

Application:
Relaying

Frequency:
50 - 400 Hz

Insulation Level:
600 Volts, 10 kv BIL full wave

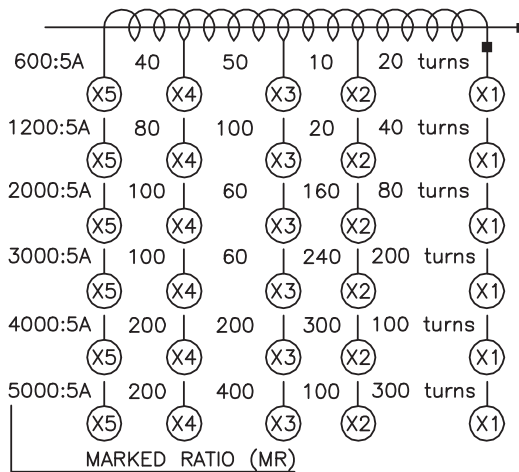
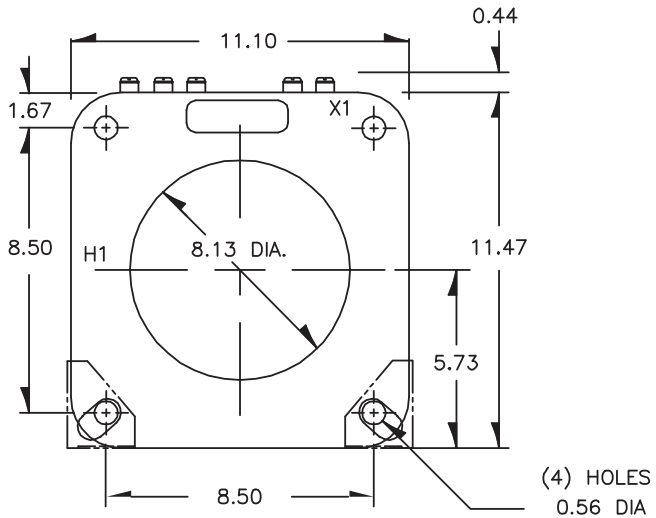
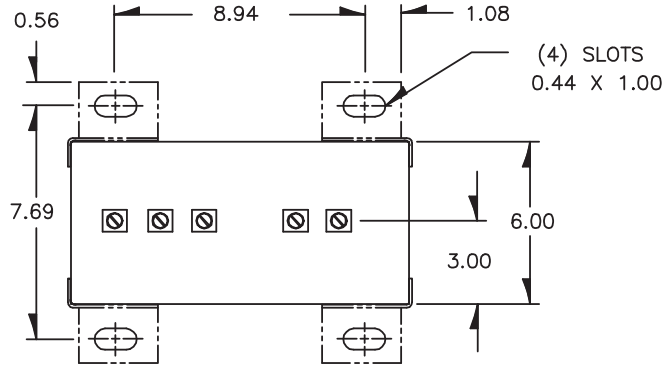
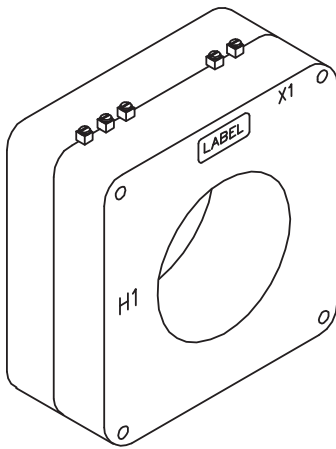


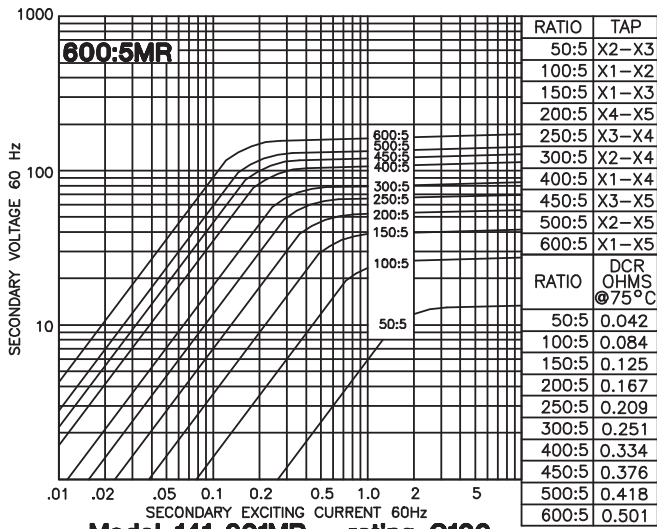
E228202

Continuous Thermal Current Rating Factor:

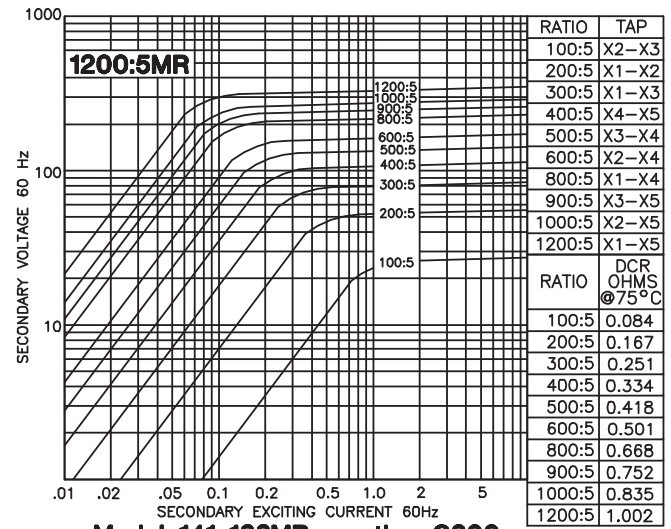
See TRF at curve.

- Terminals are brass screws No. 10 - 32
- with one flat washer, lockwasher and regular nut.
- □ The transformer winding is arranged so that the
- turns are fully distributed between all taps.
- Order mounting bracket kit CR-CL separately.
- □ Approximate weight: 45 lbs.

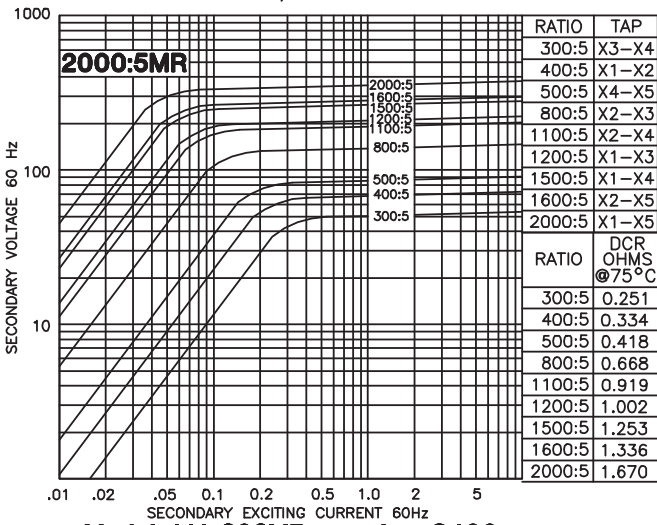




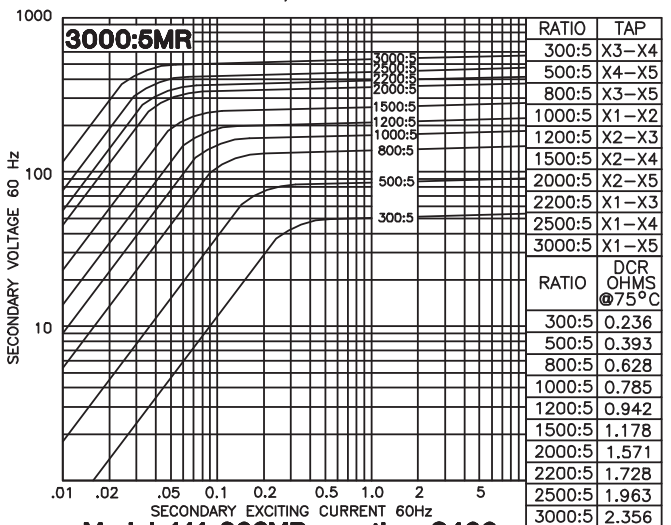
Model 141-601MR - rating C100
TRF= 2.0 @ 30°C, 1.5 @ 55°C amb.



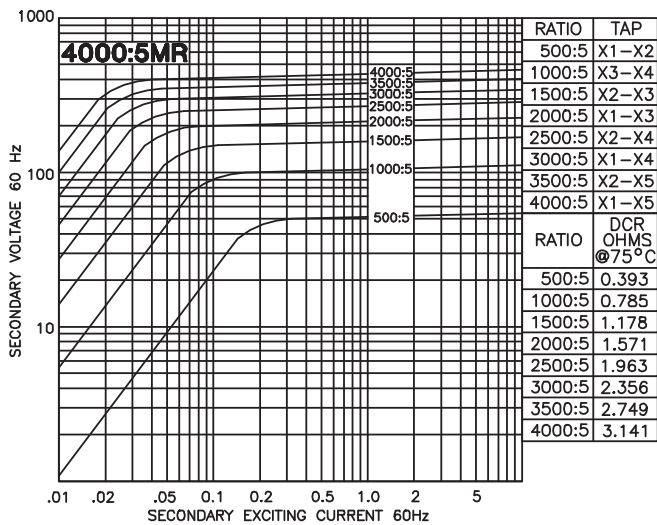
Model 141-122MR - rating C200
TRF= 2.0 @ 30°C, 1.5 @ 55°C amb.



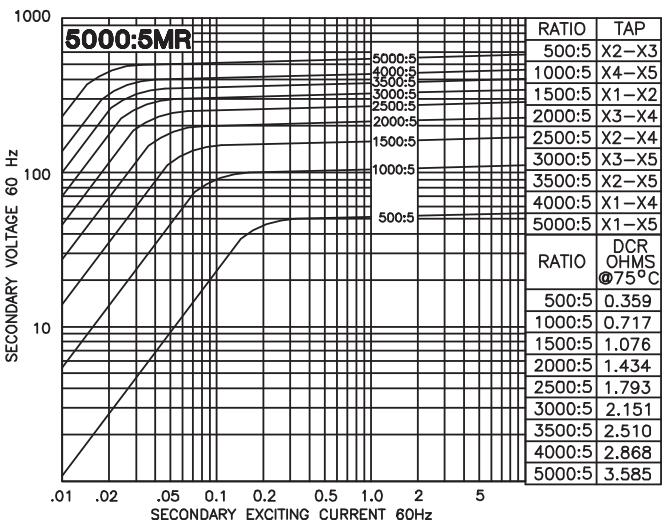
Model 141-202MR - rating C400
TRF= 1.33 @ 30°C, 1.0 @ 55°C amb.



Model 141-302MR - rating C400
TRF= 1.5 @ 30°C, 1.33 @ 55°C amb.



Model 141-402MR - rating C400
TRF= 1.0 @ 30°C, 0.8 @ 55°C amb.



Model 141-502MR - rating C200
TRF= 1.0 @ 30°C, 0.8 @ 55°C amb.