

CURRENT TRANSFORMER

Model 142

Window Diameter 7.25"

Application:
Relaying and Metering

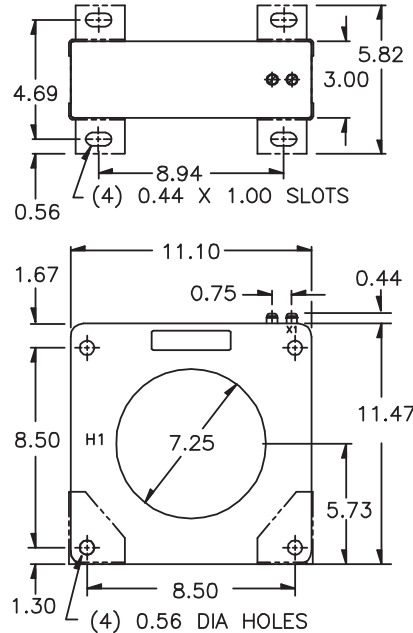
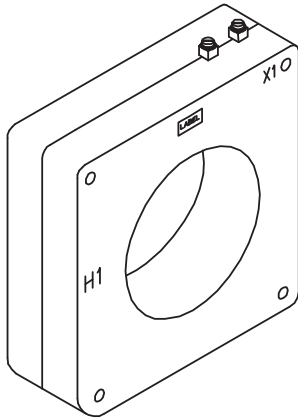
Frequency:
50 - 400 Hz

Insulation Level:
600 Volts, 10 kv BIL full wave

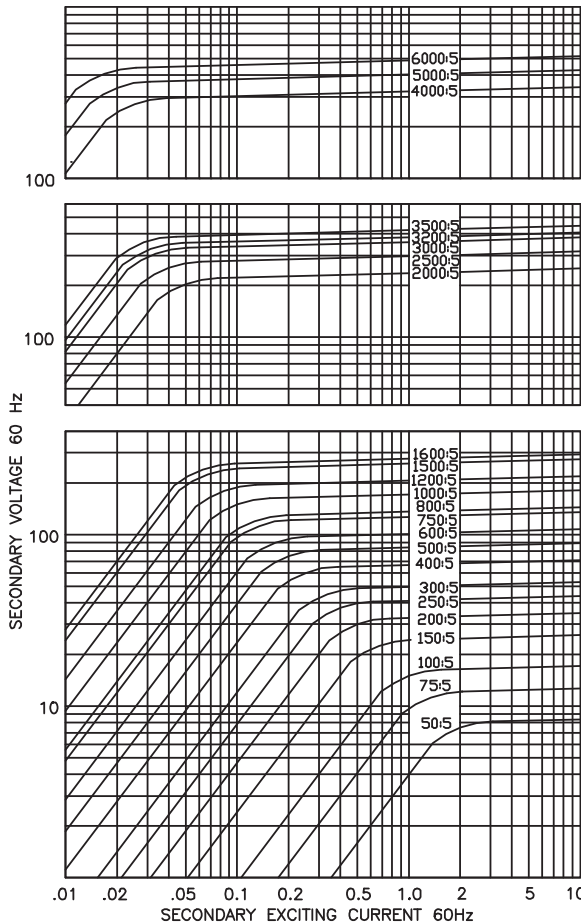


E228202

- Terminals are brass screws No. 10 - 32
□ with one flat washer, lockwasher and regular nut.
- □ Multi ratios available upon request
- Order mounting bracket kit CR-CL separately.
- □ Approximate weight: 31 lbs.



EXCITATION CURVE



| CATALOG NUMBER | CURRENT RATIO | RELAY CLASS | ANSI METERING CLASS AT 60 Hz | | | | | SECONDARY WINDING RESISTANCE (OHMS @ 75 °C) | CONTINUOUS THERMAL RATING FACTOR | |
|----------------|---------------|-------------|------------------------------|------|------|------|-------|---|----------------------------------|-------|
| | | | B0.1 | B0.2 | B0.5 | B0.9 | B1.8 | | @30°C | @55°C |
| 142-500 | 50:5 | - | - | - | - | - | 0.031 | 2.0 | 2.0 | |
| 142-750 | 75:5 | - | 2.4 | 4.8 | - | - | 0.035 | 2.0 | 2.0 | |
| 142-101 | 100:5 | C10 | 1.2 | 2.4 | 4.8 | - | 0.051 | 2.0 | 2.0 | |
| 142-151 | 150:5 | C10 | 1.2 | 1.2 | 2.4 | 4.8 | 0.070 | 2.0 | 2.0 | |
| 142-201 | 200:5 * | C20 | 0.6 | 0.6 | 1.2 | 2.4 | 0.102 | 2.0 | 2.0 | |
| 142-251 | 250:5 * | C20 | 0.6 | 0.6 | 1.2 | 1.2 | 0.127 | 2.0 | 2.0 | |
| 142-301 | 300:5 * | C30 | 0.3 | 0.3 | 0.6 | 1.2 | 0.153 | 2.0 | 2.0 | |
| 142-401 | 400:5 * | C50 | 0.3 | 0.3 | 0.3 | 0.6 | 0.196 | 2.0 | 2.0 | |
| 142-501 | 500:5 * | C50 | 0.3 | 0.3 | 0.3 | 0.6 | 0.252 | 2.0 | 2.0 | |
| 142-601 | 600:5 * | C50 | 0.3 | 0.3 | 0.3 | 0.3 | 0.255 | 2.0 | 2.0 | |
| 142-751 | 750:5 * | C100 | 0.3 | 0.3 | 0.3 | 0.3 | 0.304 | 2.0 | 1.5 | |
| 142-801 | 800:5 * | C100 | 0.3 | 0.3 | 0.3 | 0.3 | 0.336 | 2.0 | 1.5 | |
| 142-102 | 1000:5 * | C100 | 0.3 | 0.3 | 0.3 | 0.3 | 0.486 | 2.0 | 1.5 | |
| 142-122 | 1200:5 * | C100 | 0.3 | 0.3 | 0.3 | 0.3 | 0.735 | 1.5 | 1.0 | |
| 142-152 | 1500:5 * | C200 | 0.3 | 0.3 | 0.3 | 0.3 | 0.918 | 1.5 | 1.0 | |
| 142-162 | 1600:5 * | C200 | 0.3 | 0.3 | 0.3 | 0.3 | 0.979 | 1.33 | 1.0 | |
| 142-202 | 2000:5 * | C200 | 0.3 | 0.3 | 0.3 | 0.3 | 0.544 | 2.0 | 1.5 | |
| 142-252 | 2500:5 * | C200 | 0.3 | 0.3 | 0.3 | 0.3 | 1.066 | 1.5 | 1.0 | |
| 142-302 | 3000:5 * | C200 | 0.3 | 0.3 | 0.3 | 0.3 | 1.280 | 1.0 | 0.8 | |
| 142-322 | 3200:5 * | C200 | 0.3 | 0.3 | 0.3 | 0.3 | 1.365 | 1.0 | 0.8 | |
| 142-352 | 3500:5 * | C200 | 0.3 | 0.3 | 0.3 | 0.3 | 1.493 | 1.0 | 0.8 | |
| 142-402 | 4000:5 * | C200 | 0.3 | 0.3 | 0.3 | 0.3 | 1.452 | 1.0 | 0.8 | |
| 142-502 | 5000:5 * | C200 | 0.3 | 0.3 | 0.3 | 0.3 | 1.915 | 1.0 | 0.8 | |
| 142-602 | 6000:5 * | C200 | 0.3 | 0.3 | 0.3 | 0.3 | 2.298 | 1.0 | 0.6 | |