

CURRENT TRANSFORMER

Model 143MR

Window Diameter 7.31"

Application:
Relaying

Frequency:
50 - 400 Hz

Insulation Level:
600 Volts, 10 kv BIL full wave

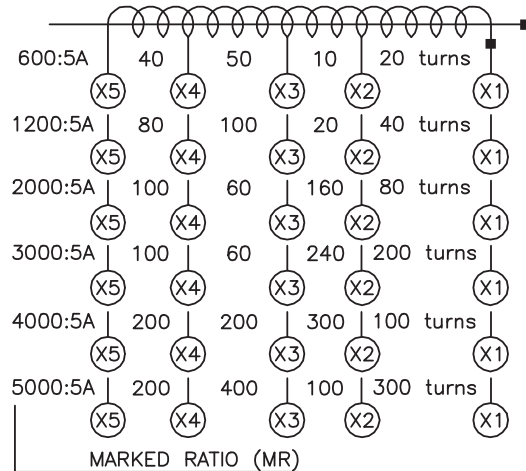
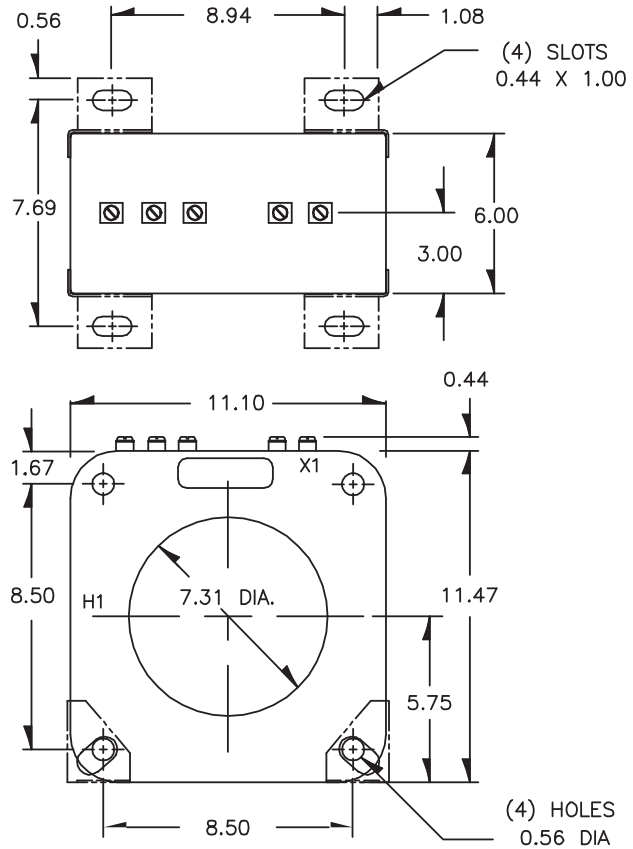
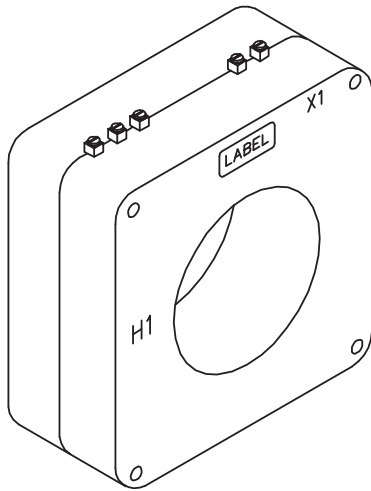


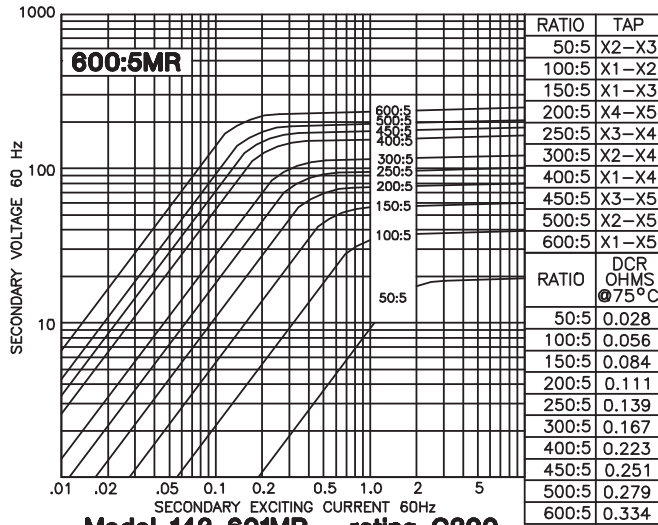
E228202

Continuous Thermal Current Rating Factor:

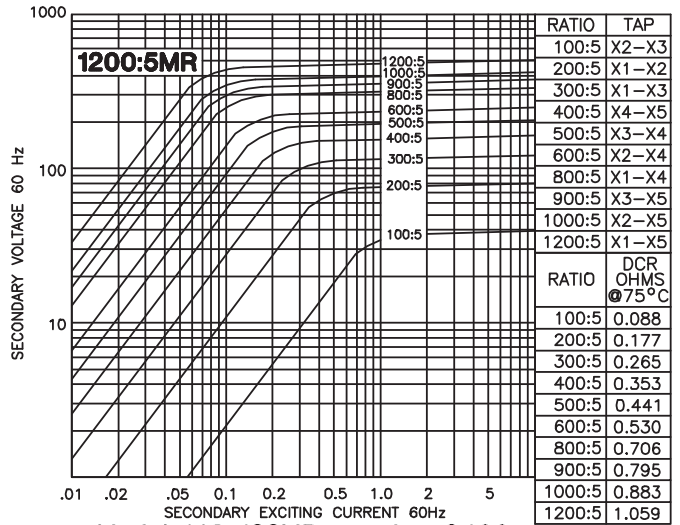
See TRF at curve.

- Terminals are brass screws No. 10 - 32 with one flat washer, lockwasher and regular nut.
- The transformer winding is arranged so that the turns are fully distributed between all taps.
- Order mounting bracket kit CR-CL separately.
- Approximate weight: 60 lbs.

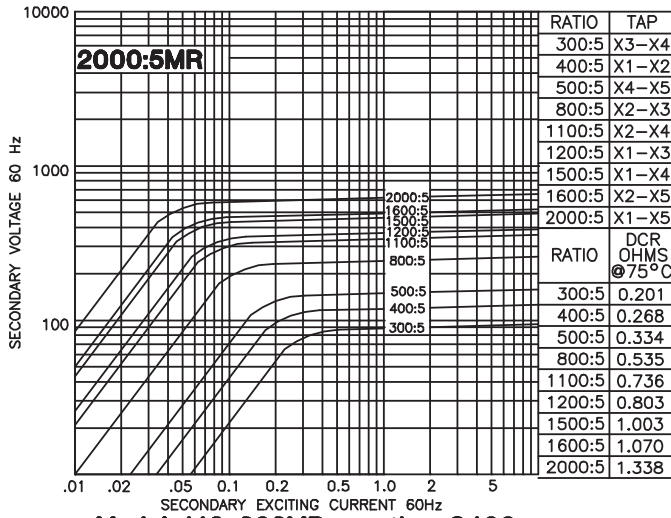




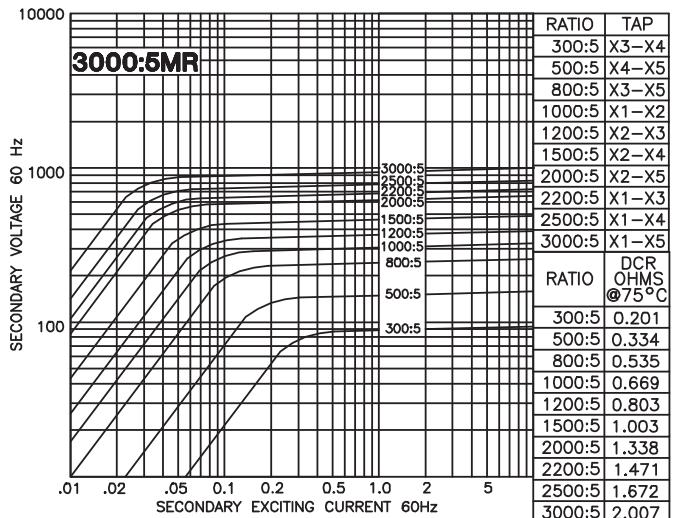
Model 143-601MR - rating C200
TRF= 2.0 @ 30°C, 1.5 @ 55°C amb.



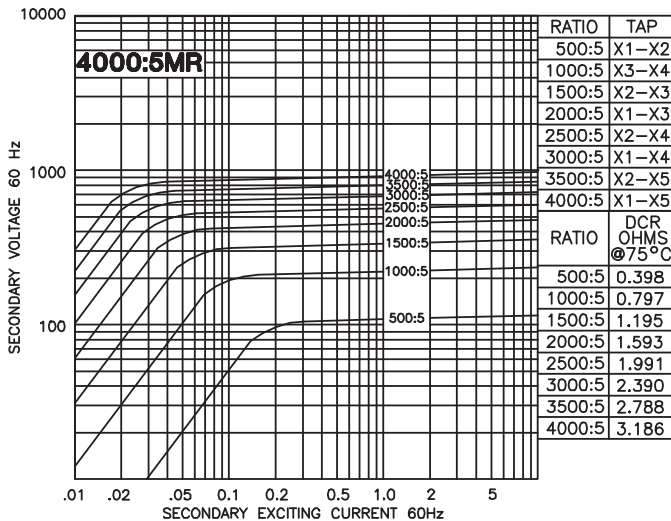
Model 143-122MR - rating C400
TRF= 1.5 @ 30°C, 1.0 @ 55°C amb.



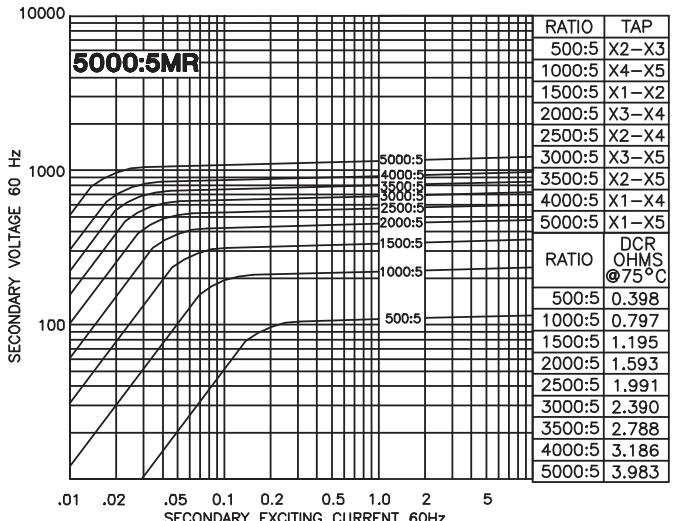
Model 143-202MR - rating C400
TRF= 1.33 @ 30°C, 1.0 @ 55°C amb.



Model 143-302MR - rating C800
TRF= 1.0 @ 30°C, 0.8 @ 55°C amb.



Model 143-402MR - rating C800
TRF= 1.0 @ 30°C, 0.6 @ 55°C amb.



Model 143-502MR - rating C800
TRF= 1.0 @ 30°C, 0.6 @ 55°C amb.