

# CURRENT TRANSFORMER

Model 8

Window Diameter 3.25"

**Application:**  
Metering

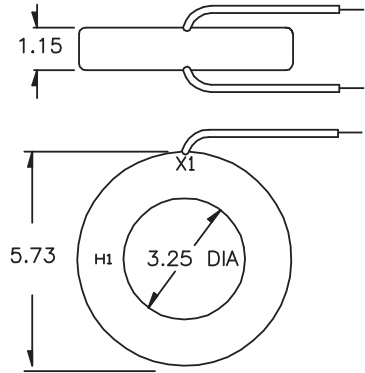
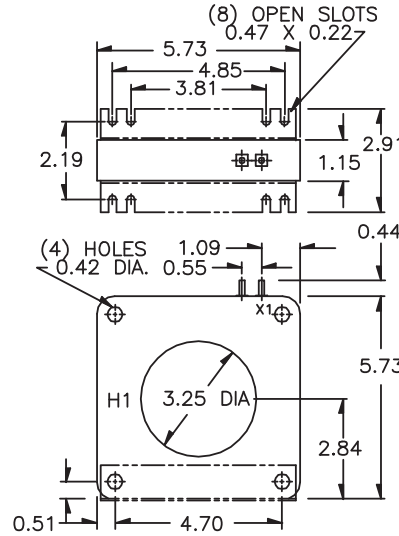
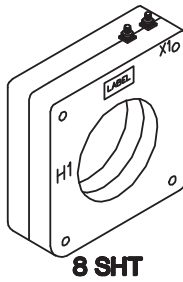
**Frequency:**  
50 - 400 Hz

**Insulation Level:**  
600 Volts, 10 kv BIL full wave

- Terminals are brass studs No. 8 - 32 with one flat washer, lockwasher and regular nut.
- Flexible leads are UL 1015 105° C, CSA approved, #16 AWG, 24" long
- Non-standard length to be specified.
- Model 8SHT also available as 8SHL with leads.
- Order mounting bracket kit E seperately when required for Model 8SHT.
- Approximate weight: 2.5 lbs.

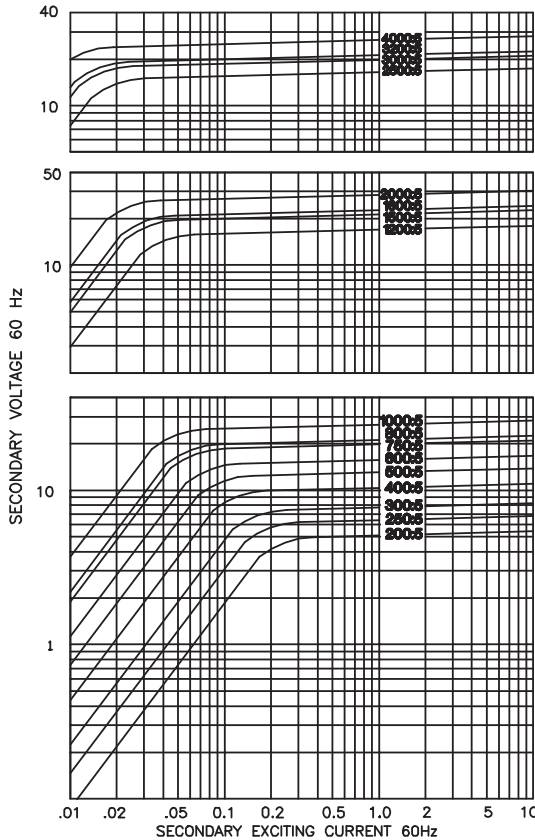


E228202



8 RL

EXCITATION CURVE



CATALOG NUMBER	CURRENT RATIO	V.A. FOR ± 1% CLASS	ANSI METERING CLASS AT 60 Hz					SECONDARY WINDING RESISTANCE (OHMS @ 75 °C)	CONTINUOUS THERMAL RATING FACTOR	
			B0.1	B0.2	B0.5	B0.9	B1.8		@30°C	@55°C
			8 ** -201	200:5	5.0	1.2	1.2		2.4	4.8
8 ** -251	250:5*	7.5	0.6	0.6	1.2	2.4	4.8	0.044	2.0	2.0
8 ** -301	300:5*	15.0	0.6	0.6	1.2	2.4	2.4	0.049	2.0	2.0
8 ** -401	400:5*	25.0	0.3	0.3	0.6	1.2	2.4	0.079	2.0	1.5
8 ** -501	500:5*	35.0	0.3	0.3	0.6	0.6	1.2	0.102	2.0	1.5
8 ** -601	600:5*	50.0	0.3	0.3	0.6	0.6	1.2	0.147	1.5	1.33
8 ** -751	750:5*	50.0	0.3	0.3	0.3	0.6	1.2	0.184	1.5	1.0
8 ** -801	800:5*	60.0	0.3	0.3	0.3	0.6	0.6	0.197	1.5	1.0
8 ** -102	1000:5*	75.0	0.3	0.3	0.3	0.3	0.6	0.246	1.33	1.0
8 ** -122	1200:5*	75.0	0.3	0.3	0.3	0.3	0.3	0.169	1.5	1.0
8 ** -152	1500:5*	90.0	0.3	0.3	0.3	0.3	0.3	0.316	1.33	1.0
8 ** -162	1600:5*	100.0	0.3	0.3	0.3	0.3	0.3	0.337	1.33	0.8
8 ** -202	2000:5*	120.0	0.3	0.3	0.3	0.3	0.3	0.422	1.0	0.8
8 ** -252	2500:5*	50.0	0.3	0.3	0.3	0.3	0.3	0.438	1.0	0.8
8 ** -302	3000:5	60.0	0.3	0.3	0.3	0.3	0.3	0.526	1.0	0.8
8 ** -322	3200:5	70.0	0.3	0.3	0.3	0.3	0.3	0.561	1.0	0.8
8 ** -402	4000:5	80.0	0.3	0.3	0.3	0.3	0.3	0.973	0.8	0.6

\*\* NOTE: When ordering, prefix catalog number with model designation required, i.e. 8SHT-201, 8RL-301, etc.