

# CURRENT TRANSFORMER

Model 7

Window Diameter 2.50"

## Application:

With ammeters, wattmeters and cross current compensation.

## Frequency:

50 - 400 Hz

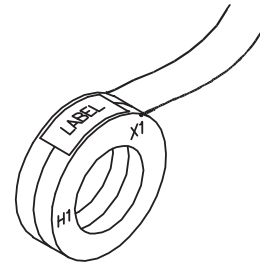
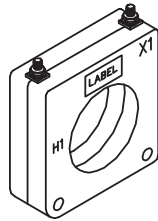
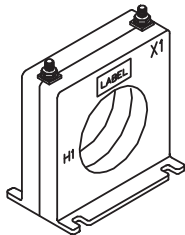
## Insulation Level:

600 Volts, 10 kv BIL full wave

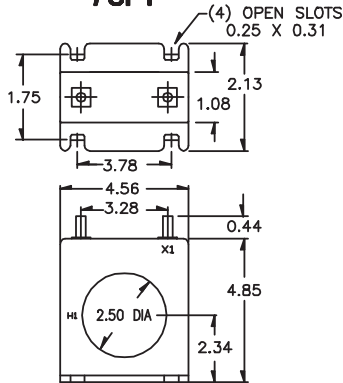


E228202

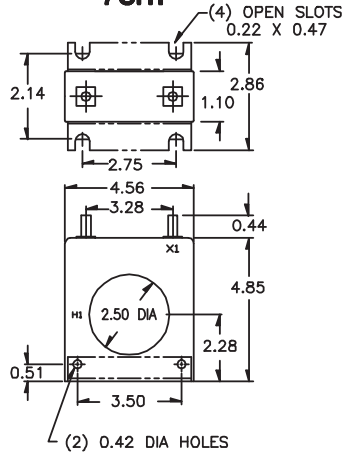
- Flexible leads are UL 1015 105°C,
  - CSA approved #16 AWG, 24" long
- Non-standard length to be specified.
- Terminals are brass studs No. 8 - 32 UNC
  - with one flat washer, lockwasher and regular nut.
- SFT and SHT case styles also available as
  - SFL and SHL with leads.
- Mounting bracket kit D when required for
  - Model 7SHT.
- Approximate weight: 1.5 lb.



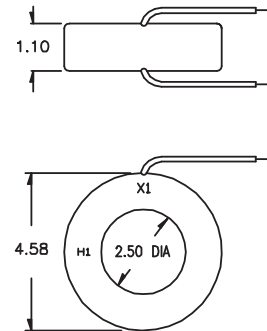
**7SFT**



**7SHT**



**7RL**



CATALOG NUMBER	CURRENT RATIO	ACCURACY AT 60 Hz	BURDEN VA at 60 Hz
7**-101	100:5	± 2 %	2.5
7**-151	150:5	± 1 %	5.0
7**-201	200:5	± 1 %	5.0
7**-251	250:5	± 1 %	5.0
7**-301	300:5	± 1 %	12.5
7**-401	400:5	± 1 %	15.0
7**-501	500:5	± 1 %	25.0
7**-601	600:5	± 1 %	30.0
7**-751	750:5	± 1 %	30.0
7**-801	800:5	± 1 %	35.0
7**-102	1000:5	± 1 %	35.0
7**-122	1200:5	± 1 %	35.0
7**-152	1500:5	± 1 %	40.0
7**-162	1600:5	± 1 %	45.0

\*\* NOTE: When ordering, prefix Cat No. with model designation required, i.e. 7SFT-500, 7RL-500, etc.