



# Control Power Transformer

**Model CPT3-45-0.3**

rev 03182021

## CERTIFICATIONS:



**APPLICATION:**

To provide control power in distribution equipment and motor starters. May also be used for indicating and recording voltmeters.

**FREQUENCY:**

See below.

**ACCURACY:**

+ 1% at 25 VA.

**INSULATION LEVEL:**

5 kV, 45 kV BIL. full wave

**THERMAL RATING:**

At 30°C. amb., see below

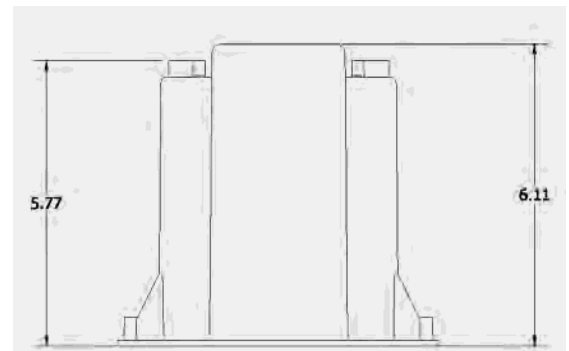
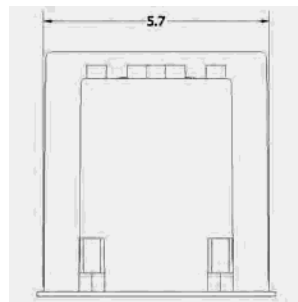
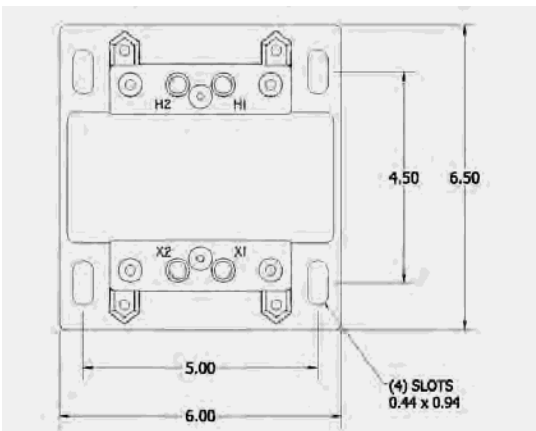
**APPROXIMATE WEIGHT:**

18 lbs.

<b>Model</b>	<b>CPT3-45-0.3</b>
<b>Width</b>	6.00
<b>Height</b>	6.11
<b>Depth</b>	6.50

- Primary fuses are not supplied, but are recommended. Use a 5kV class 0.5E fuse for all ratings 4160V and above, and 1E fuse for all ratings 3300V and below.
- Primary and secondary terminals are brass screws No. 10-32 with on flat washer and lockwasher.
- The transformer winding is vacuum encapsulated in a polyurethane resin.
- Plated steel mounting base.
- For indoor use.

CATALOG NUMBER	PRIMARY VOLTAGE	RATIO	SECONDARY VOLTAGE	THERMAL RATING
CPT3-45-0.3-841	840	7:1	120	300VA
CPT3-45-0.3-122	1200	10:1	120	300VA
CPT3-45-0.3-242	2400	20:1	120	300VA
CPT3-45-0.3-332	3300	20:1	120	200VA
CPT3-45-0.3-4161	4160	34.7:1	110	200VA
CPT3-45-0.3-482	4800	40:1	120	200VA



Products are manufactured in a plant whose quality management system has been certified to be in compliance with ISO 9001:2015 by NQA