



TTL Transformer Technologies Ltd.

Control Power Transformer

Model CPT3-60-075-6

CERTIFICATIONS:



APPLICATION:

To provide power in Motor Control centers and Distribution Switchgear

FREQUENCY:

50/60 Hz.

INSULATION LEVEL:

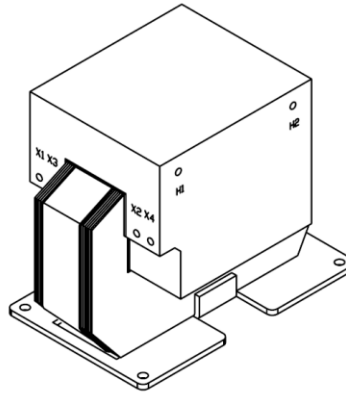
6.9 kV, 60 kV BIL. full wave

THERMAL RATING:

At 30°C. amb.

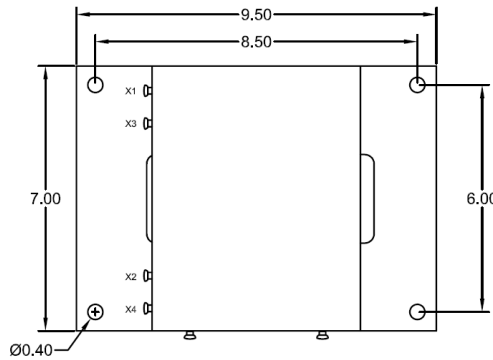
APPROXIMATE WEIGHT:

25 lbs.

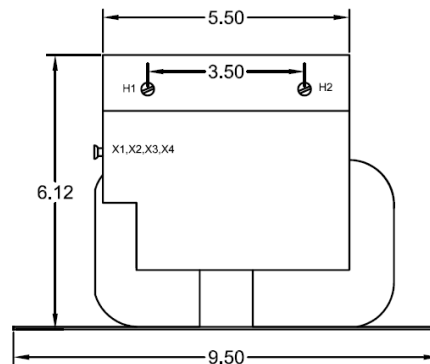
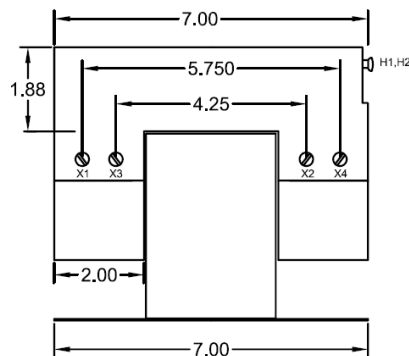
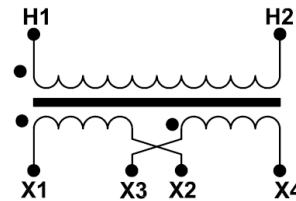


CATALOG NUMBER	PRIMARY VOLTAGE	RATIO AT 120 V	SECONDARY VOLTAGE	FREQUENCY Hz	THERMAL RATING
CPT3 60 075 2400 - 6	2400	20.00	120/240	50/60	0.75 kVA
CPT3 60 075 3300 - 6	3300	27.50	120/240	50/60	0.75 kVA
CPT3 60 075 4160 - 6	4160	34.66	120/240	50/60	0.75 kVA
CPT3 60 075 4800 - 6	4800	40.00	120/240	50/60	0.75 kVA
CPT3 60 075 5000 - 6	5000	41.66	120/240	50/60	0.75 kVA
CPT3 60 075 5500 - 6	5500	45.83	120/240	50/60	0.75 kVA
CPT3 60 075 6000 - 6	6000	50.00	120/240	50/60	0.75 kVA
CPT3 60 075 6600 - 6	6600	55.00	120/240	50/60	0.75 kVA
CPT3 60 075 6900 - 6	6900	57.50	120/240	50/60	0.75 kVA

- Primary and secondary terminal are brass screws No. 10-32 with one flat washer and lockwasher.
- Transformer winding is vacuum encapsulated in polyurethane resin with temperature insulation class of 105°C
- Plated steel mounting base
- For indoor use



CONNECTION DIAGRAM



Products are manufactured in a plant whose quality management system has been certified to be in compliance with ISO 9001:2015 by NQA