

# Wound Primary Indoor Current Transformer

**Model JKM-3C**

**CERTIFICATIONS:**

**APPLICATION:**

Designed for indoor service; Suitable for operating meters, instruments and control devices.

**FREQUENCY:**

50-60 Hz.

**INSULATION LEVEL:**

5 kV; BIL 60 kV full wave

**APPROXIMATE WEIGHT:**

30 lbs.

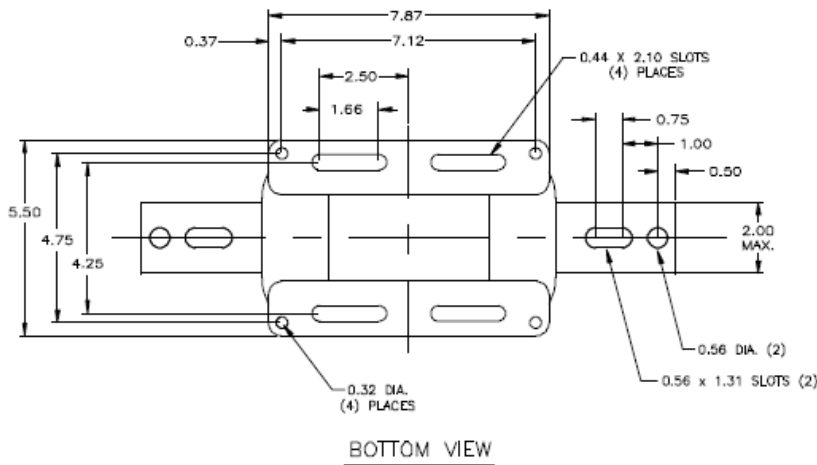
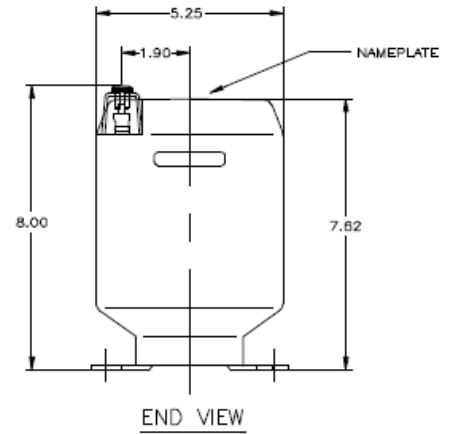
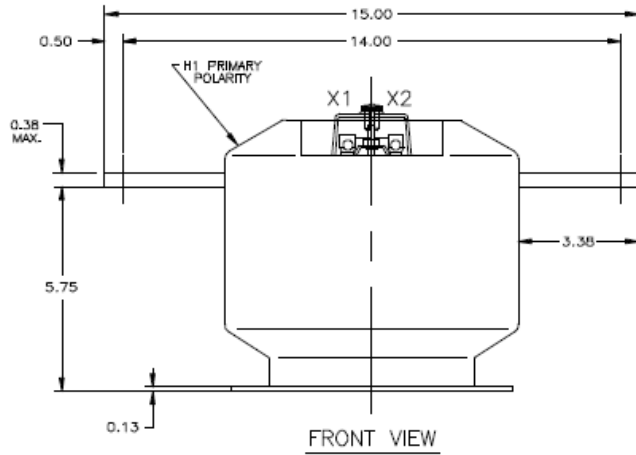


Current Ratio (Amps) Pri:Sec	ANSI Accuracy Class, 60 Hz			Continuous Thermal Current Rating Factor		Primary Bar Size		One Second Thermal Limit Amps	Mech. Limit Amps
	ANSI Meter Class Burden		Relay Class	@30°C Amb.	@55°C Amb.	Width ins.	Thick ins.		
	B0.1 to B0.5	B0.9 to 1.8							
<b>Single Ratio</b>									
5:5	0.3	0.3	T100	1.5	1.0	1.50	0.188	465	550
10:5	0.3	0.3	T100	1.5	1.0	1.50	0.188	930	1,100
15:5	0.3	0.3	T100	1.5	1.0	1.50	0.188	1,470	1,620
20:5	0.3	0.3	T100	1.5	1.0	1.50	0.188	1,850	2,200
25:5	0.3	0.3	T100	1.5	1.0	1.50	0.188	2,300	2,750
30:5	0.3	0.3	T100	1.5	1.0	1.50	0.188	2,450	3,300
40:5	0.3	0.3	T100	1.5	1.0	1.50	0.188	3,700	4,400
50:5	0.3	0.3	T100	1.5	1.0	1.50	0.188	4,600	5,500
75:5	0.3	0.3	T100	1.5	1.0	1.50	0.188	6,400	8,250
100:5	0.3	0.3	T100	1.5	1.0	1.50	0.188	8,600	11,000
150:5	0.3	0.3	T100	1.5	1.0	1.50	0.188	12,800	16,500
200:5	0.3	0.3	T100	1.5	1.0	2.00	0.25	17,300	22,000
300:5	0.3	0.3	T100	1.5	1.0	2.00	0.25	25,700	33,000
400:5	0.3	0.3	T100	1.5	1.0	2.00	0.25	36,000	44,000
500:5	0.3	0.3	T100	1.33	1.0	2.00	0.38	43,100	47,000
600:5	0.3	0.3	T100	1.5	1.0	2.00	0.38	51,500	66,000
800:5	0.3	0.3	T100	1.33	1.0	2.00	0.38	63,300	70,500
<b>Tapped Secondary</b>									
50/100:5	0.3	---	T50	2.0	1.5	1.50	0.188	4,300	11,000
	0.3	0.3	T100	1.5	1.0			8,600	
75/150:5	0.3	---	T50	2.0	1.5	1.50	0.188	6,400	16,500
	0.3	0.3	T100	1.5	1.0			12,800	
100/200:5	0.3	---	T50	2.0	1.5	2.00	0.25	8,650	22,000
	0.3	0.3	T100	1.5	1.0			17,300	
150/300:5	0.3	---	T50	2.0	1.5	2.00	.025	13,750	33,000
	0.3	0.3	T100	1.5	1.0			27,500	
200/400:5	0.3	---	T50	2.0	1.5	2.00	0.25	18,000	44,000
	0.3	0.3	T100	1.5	1.0			36,000	
300/600:5	0.3	---	T50	2.0	1.5	2.00	.038	25,750	66,000
	0.3	0.3	T100	1.5	1.0			51,500	
400/800:5	0.3	---	T50	2.0	1.5	2.00	0.38	31,650	70,500
	0.3	0.3	T100	1.33	1.0			63,300	

Products are manufactured in a plant whose quality management system has been certified to be in compliance with ISO 9001:2015 by NQA

# Wound Primary Indoor Current Transformer

**Model JKM-3C**



### Construction and Insulation

The core and coil assembly is encapsulated in vacuum cast polyurethane resin. This tough material has excellent electrical and mechanical properties over a wide temperature range, has low water absorption and is resistant to oil and a variety of chemicals.

### Core and Coils

The core is made from high quality grain oriented silicon steel, annealed under rigidly controlled factory conditions. The primary winding consists of two coils in series, one around each leg of the core. This construction minimizes flux leakage thus improving the accuracy of the transformer. The secondary winding consists of two coils in parallel. Each coil is located inside the corresponding primary coil and surrounds one leg of the core.

### Terminals

Secondary terminals are tin plated brass, compression type with a 0.275" diameter cross-hole for wiring and a ¼ - 28 clamp screw. A shorting device is provided and interlocked to the terminal cover. The terminal cover is made of a clear plastic. Provision is made for sealing the cover.

### Primary Bars

The primary terminals are tin plated copper bars molded into the cast resin insulation. They have one hole and one slot at each end, suitable for ½" bolts.

### Polarity

The primary and secondary polarity markers H1, X1, are molded in the insulation. They are thus permanent and integral parts of the transformer and cannot be readily obliterated. They are also marked white.

### Base plate and mounting

The base plate is made of stainless steel; it is provided with four slots for mounting. The transformer may be mounted in any orientation.

### Maintenance

These transformers require no maintenance, other than occasional cleaning, if installed where air contamination is severe.